

### Description:

Sentry Sprinklers **Model GD-3000 and TD-3000** are ductile iron Butterfly Valves that are bi-directional and suited for vertical and horizontal installation. The valve is the indicating type designed and listed for use in fire protection systems with a built in tamper switch suitable for indoor and outdoor use. The switch box and valve body are anti-corrosion with 10 mil (250µ) of fusion-bonded epoxy (FBE) coating. All other components are made of corrosive resistance materials



Model **GD-3000**



Model **TD-3000**



### Features:

- Maximum working pressure 175 PSI (12 Bar) @ -10° F - 248° F, (-10° C - 120° C).
- Lightweight Ductile Iron body conforms to AWWA C606 groove.
- Ductile Iron Disc EPDM coated, resilient seated.
- Grooved End Connections AWWA 606.
- Meets all requirements for FM1112.
- Epoxy coated inside & outside.

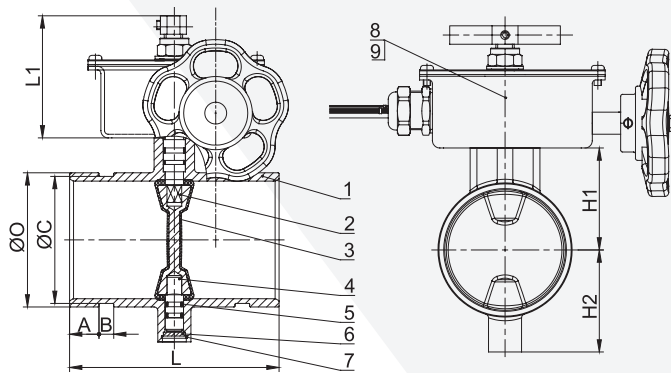
### Dimensions:

#### Groove Type

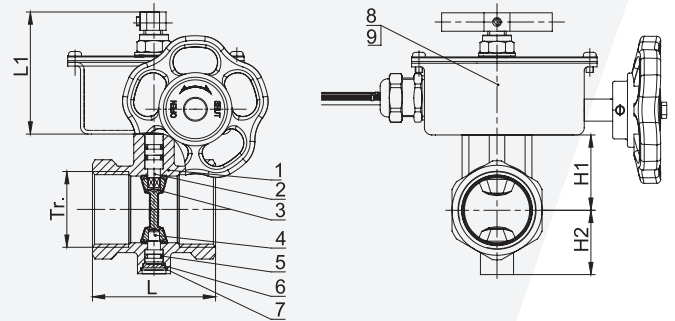
INCH (DN)	L	Ø O	Ø C	A	B	H1	H2	L1
inch (mm)	inch (mm)	inch (mm)	inch (mm)	inch (mm)	inch (mm)	inch (mm)	inch (mm)	inch (mm)
2 (50)	4 1/2 (114)	2 3/8 (60.3)	2 1/4 (57.15)	5/8 (16)	5/16 (8)	1 15/16 (50)	1 15/15 (50)	2 5/8 (66.5)
2 1/2 (65)	4 1/2 (114)	2 7/8 (73)	2 3/4 (69.1)	5/8 (16)	5/16 (8)	2 3/16 (55.5)	2 3/16 (55.5)	2 5/8 (66.5)

#### Thread Type

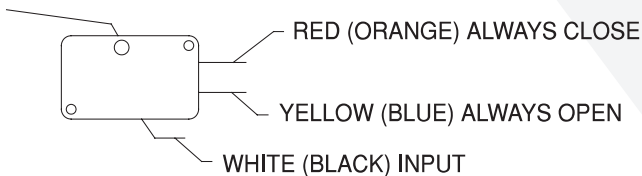
INCH (DN)	L1	L	Tr.	H1	H2
inch (mm)	inch (mm)	inch (mm)	inch NPT	inch (mm)	inch (mm)
1 (25)	2 5/8 (66.5)	2 1/8 (54)	1	1 7/16 (37)	1 1/8 (29)
1 1/4 (32)	2 5/8 (66.5)	2 5/8 (67)	1 1/4	1 5/8 (41)	1 3/8 (35)
1 1/2 (40)	2 5/8 (66.5)	2 7/8 (73)	1 1/2	1 3/4 (44)	1 5/8 (41)
2 (50)	2 5/8 (66.5)	3 1/4 (82.4)	2	1 15/16 (50)	1 15/16 (50)
2 1/2 (65)	2 5/8 (66.5)	4 1/8 (104)	2 1/2	2 3/16 (55.5)	2 3/16 (55.5)



**GD-3000**



**TD-3000**



WHITE+YELLOW+RED IS ONE SET OF SWITCH, WHITE IS INPUT, YELLOW IS OFTEN START, RED IS CLOSED END.

BLACK+BLUE+ORANGE IS ONE SET OF SWITCH, BLACK IS INPUT, BLUE IS OFTEN START, ORANGE IS CLOSED END.

GREEN EARTH WIRE

WHEN THE VALVE IS OPEN, THE OFTEN START IS CONNECTED, WHEN THE VALVE IS CLOSED, THE CLOSED END IS CONNECTED.

### Wiring Diagram

### Material List:

ITEM	NAME	MATERIAL
1	Body	ASTM B62 C83600
2	Upper Shaft	SS630
3	Disc	65-45-12+EPDM
4	Lower Shaft	SS630
5	O-Ring	EPDM
6	Gasket	SS304
7	Circlip	65Mn
8	Key	1045
9	Electric Signal Gear Box	-

SIZE CODE	1" (25)	1 1/4" (32)	1 1/2" (40)	2" (50)	2.5" (65)
		010	012	015	020

ORDER KEY	MODEL ↓	SIZE CODE ↓	ORDER KEY	MODEL ↓	SIZE CODE ↓
		GD-3000-		XXX	