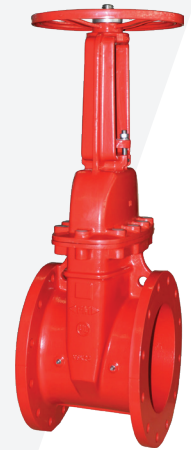


Description:

Sentry Sprinklers Model **OSY-6000** is a ductile iron, Outside Screw and Yoke, Resilient Seated Gate Valve. The valve is bi-directional and is suited for vertical and horizontal installation. The valve is anti-corrosion with 10 mil (250µ) of fusion-bonded epoxy (FBE) coating on both the inside & outside. All other components are made of corrosive resistance materials. The packing material is PTFE with a durable low coefficient of friction that provides superior sealing. It includes Tap Bosses to connect a Pressure Gauge/Switch or to act as a Drain during maintenance.




Model **OSY-6000-FF**

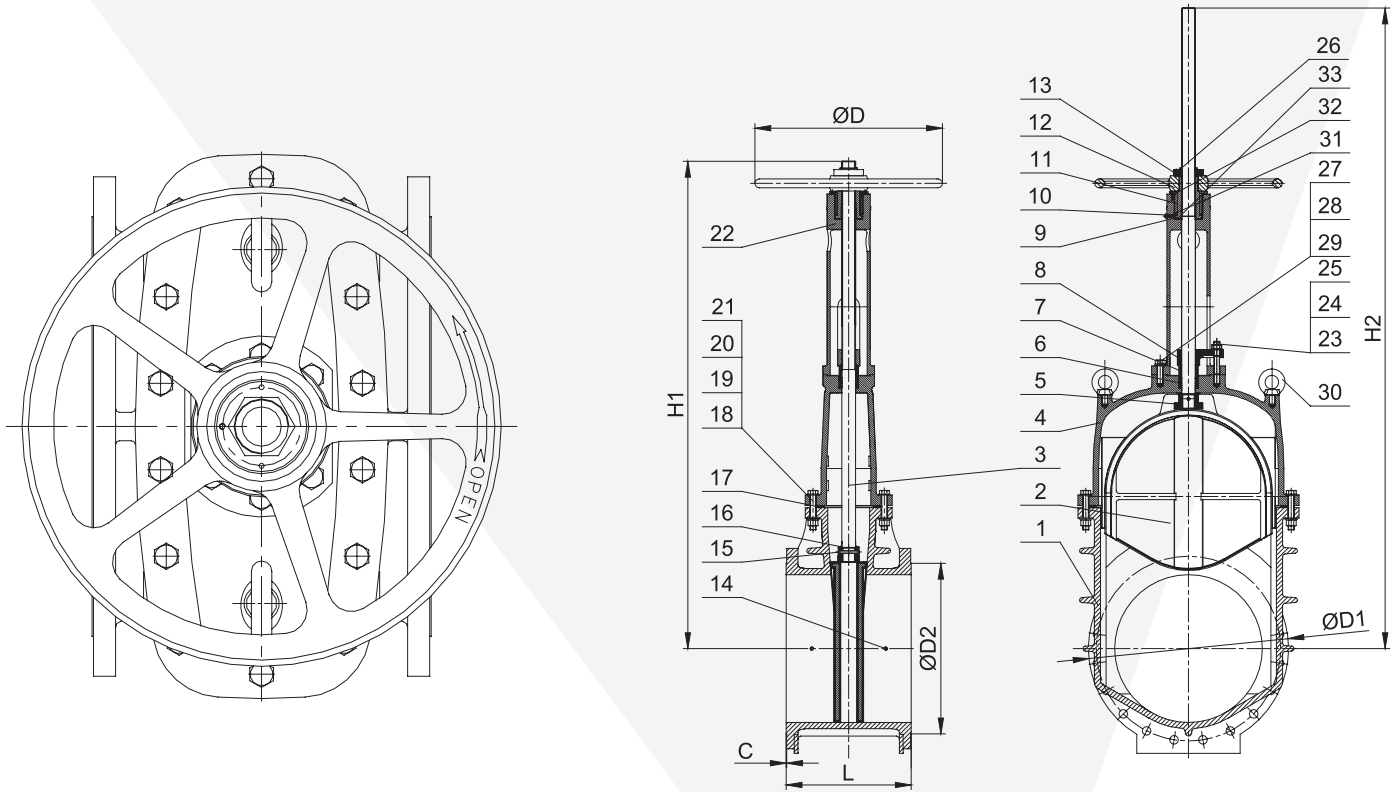


Features:

- Sizes 14”–18” Maximum working pressure 250 PSI (17.25 Bar) @ -10° F - 248° F, (-10° C - 120° C).
- Sizes 20”–24” Maximum working pressure 200 PSI (13.75 Bar) @ -10° F - 248° F, (-10° C - 120° C).
- Lightweight Ductile Iron body conforms to AWWA C515 / BS5163.
- Fully Encapsulated EPDM Ductile Iron Wedge capable of achieving bubble-tight sealing.
- Connection Ends ANSI B16.1 Class 125/150 and EN1092-2 PN16.
- Meets all requirements for UL262 and FM1120/1130.
- Handwheel open left.
- Standard Plug & Tap Bosses, ¼” NPT.
- Epoxy coated inside & outside.
- End Connection available in Flange-by-Flange (FF).

Dimensions:

SIZE	Inch (DN)	14 (350)	16 (400)	18 (450)	20 (500)	24 (600)
Ø D	inch (mm)	20 (508)	21.97 (558)	24 (610)	24 (610)	30 (762)
H1	inch (mm)	47.44 (1205)	57.45 (1383)	61.97 (1574)	69.29 (1760)	77.87 (1978)
H2	inch (mm)	62.08 (1577)	70.87 (1800)	80.63 (2048)	90.43 (2297)	102.36 (2600)
Ø D1	inch (mm)	20.98 (533)	23.50 (597)	25.2 (640)	28.15 (715)	33.07 (840)
Ø D2	inch (mm)	15.35 (390)	17.6 (447)	19.6 (498)	21.73 (552)	26.06 (661.8)
C	inch (mm)	1.38 (35)	1.5 (38)	1.69 (42.9)	1.69 (42.9)	1.95 (49.6)
L	inch (mm)	15 (381)	15.98 (406)	17 (432)	18 (457)	20 (508)
TAP SIZE	inch (mm)	0.25 (6.35)	0.25 (6.35)	0.25 (6.35)	0.25 (6.35)	0.25 (6.35)
# TURN		50	57	56.5	42	50



Material List:

ITEM	NAME	MATERIAL
1	Body	ASTM A536 65-45-12
2	Seat rubber coating	EPDM
3	Shaft	AISI SS304
4	Cover	ASTM A536 65-45-12
5	Disc nut	ASTM A351 CF8
6	Packing	PTFE
7	Packing gland bushing	ASTM B16
8	Packing gland	ASTM A536 65-45-12
9	Shaft nut	ASTM B62
10	Shaft nut washer	ASTM B16
11	Shaft lock nut	ASTM B16
12	Handwheel	ASTM A536 65-45-12
13	Handwheel lock nut	Steel
14	Square pipe plug	ASTM SS304
15	Pin	ASTM SS316
16	O-ring	EPDM
17	Gasket	EPDM

ITEM	NAME	MATERIAL
18	Bolt	ASTM SS304
19	Spring washer	ASTM SS304
20	Nut	ASTM SS304
21	Washer	ASTM SS304
22	Stents	ASTM A536 65-45-12
23	Studs	ASTM SS304
24	Spring washer	ASTM SS304
25	Nut	ASTM SS304
26	Screw	ASTM SS304
27	Bolt	ASTM SS304
28	Spring washer	ASTM SS304
29	Washer	ASTM SS304
30	Lifting bolt	ASTM SS304
31	Straight through injection oil cup	Copper
32	Slot countersunk head screws	Steel
33	Support gasket	ASTM B16
34	Open Direction	LEFT

SIZE CODE	14" (350)	16" (400)	18" (450)	20" (600)	24" (600)
	140	160	180	200	240

FLANGE CODE	CLASS ANSI 125 → A	CLASS ANSI 150 → B	CLASS PN16 → D

ORDER KEY	END CONNECTION				FLANGE CODE		
	MODEL #	OSY-6000-	FF-	X-	XXX		SIZE CODE