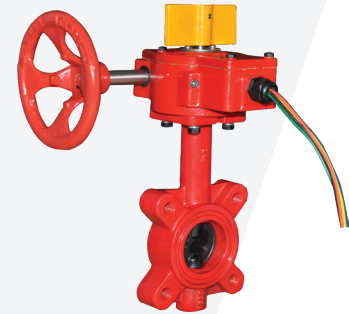


### Description:

Sentry Sprinklers **Model L-3000** is a ductile iron Butterfly Valve that is bi-directional and is suited for vertical and horizontal installation. The valve is the indicating type designed and listed for use in fire protection systems with a built in tamper switch suitable for indoor and outdoor use. The valve is anti-corrosion with 10 mil (250µ) of fusion-bonded epoxy (FBE) coating on both the inside & outside. All other components are made of corrosive resistance materials.



Model L-3000

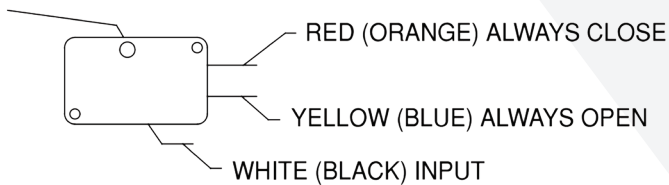
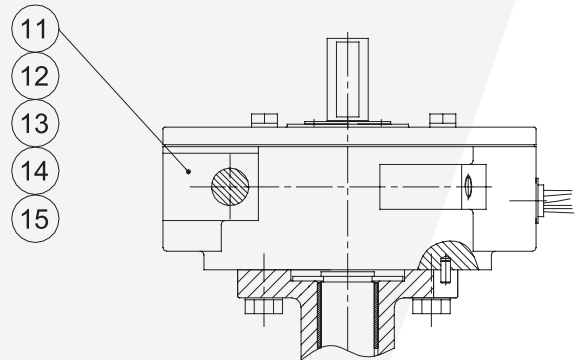
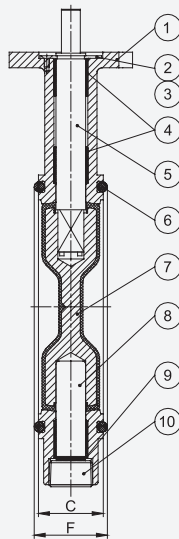
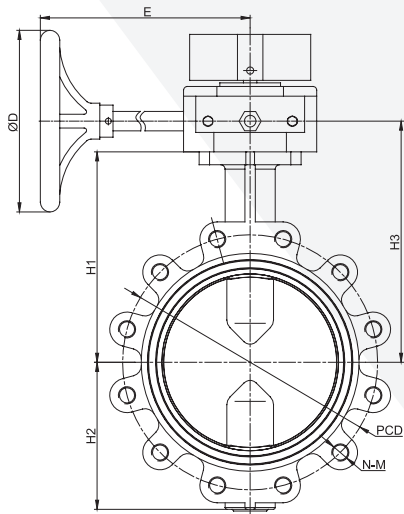


### Features:

- Maximum working pressure 300 PSI (20.7 Bar) @ -10° F - 248° F, (-10° C - 120° C).
- Lightweight Ductile Iron body conforms to ISO 5752.
- Ductile Iron Disc EPDM coated, resilient seated.
- Lug connection (LL) ends BS EN 1092-2 PN16 and ASME B16.42 CL150.
- Meets all requirements for UL1091 and FM1112.
- Epoxy coated inside & outside.
- The built in Supervisory Switch is UL listed for indoor and outdoor use.

### Dimensions:

INCH (DN)	APPROVAL		H1	H2	C	F	Ø D	E	H3	ANSI150	
	UL	FM								Ø PCD	N-M
inch (mm)			inch (mm)	inch (mm)	inch (mm)	inch (mm)	inch (mm)	inch (mm)	inch (mm)	inch (mm)	inch
2 (50)	-	Y	5.53 (140)	3.07 (78)	1.7 (43)	1.85 (47)	6 (150)	6.25 (159)	6.91 (175)	4.75 (120)	4-5/8-11UNC
2.5 (65)	Y	Y	6 (152)	3.07 (78)	1.81 (46)	2 (50)	6 (150)	6.25 (159)	7.38 (187)	5.5 (139)	4-5/8-11UNC
3 (80)	Y	Y	6.2 (157)	3.35 (85)	1.81 (46)	2 (50)	6 (150)	6.25 (159)	7.58 (192)	6 (152)	4-5/8-11UNC
4 (100)	Y	Y	6.93 (176)	4.13 (105)	2.05 (52)	2.28 (58)	6 (150)	6.25 (159)	8.30 (211)	7.5 (190)	8-5/8-11UNC
5 (125)	Y	-	7.52 (191)	5.04 (128)	2.2 (56)	2.44 (62)	8 (200)	6.25 (159)	8.9 (226)	8.5 (215)	8-3/4-10UNC
6 (150)	Y	-	7.92 (202)	5.51 (140)	2.2 (56)	2.44 (62)	8 (200)	6.25 (159)	9.35 (237)	9.5 (241)	8-3/4-10UNC
8 (200)	Y	-	9.59 (243)	6.7 (170)	2.44 (62)	2.76 (70)	14 (350)	9.25 (235)	11.06 (281)	11.75 (298)	8-3/4-10UNC
10 (250)	Y	-	10.75 (273)	8.07 (205)	2.68 (68)	2.76 (76)	14 (350)	9.25 (235)	12.22 (310)	14.25 (362)	12-7/8-9UNC
12 (300)	Y	-	12.24 (311)	10.16 (258)	3.08 (78)	3.4 (86)	14 (350)	9.25 (235)	13.72 (348)	17 (431)	12-7/8-9UNC



WHITE+YELLOW+RED IS ONE SET OF SWITCH, WHITE IS INPUT, YELLOW IS OFTEN START, RED IS CLOSED END.

BLACK+BLUE+ORANGE IS ONE SET OF SWITCH, BLACK IS INPUT, BLUE IS OFTEN START, ORANGE IS CLOSED END.

GREEN EARTH WIRE

WHEN THE VALVE IS OPEN, THE OFTEN START IS CONNECTED, WHEN THE VALVE IS CLOSED, THE CLOSED END IS CONNECTED.

### Wiring Diagram

### Material List:

ITEM	NAME	MATERIAL
1	Body	ASTM A536
2	Gland	ASTM A570 Gr.A
3	Philips Countersunk Head Screw	Galvanized Carbon Steel Surface Passivation
4	Bushing	ASTM B150M C63000
5	Top Shaft	SS410
6	O-Ring	EPDM
7	Disc	ASTM A536+EPDM
8	Under Shaft	SS410

ITEM	NAME	MATERIAL
9	Adjust Washer	ASTM B150M C63000
10	Plug	Galvanized Carbon Steel Surface Passivation
11	Electrical Signals Worm Gear Box	
12	Hexagon Head Bolts	Galvanized Carbon Steel Surface Passivation
13	Spring Washer	Galvanized Carbon Steel Surface Passivation
14	Washer	Galvanized Carbon Steel Surface Passivation
15	Pin	Galvanized Carbon Steel Surface Passivation
-	-	-

SIZE CODE	2" (50)	2.5" (65)	3" (80)	4" (100)	5" (125)	6" (150)	8" (200)	10" (250)	12" (300)
	020	025	030	040	050	060	080	100	120

Flange CODE	CLASS ANSI 125 → A	CLASS ANSI 150 → B	CLASS PN10 → C	CLASS PN16 → D
-------------	--------------------	--------------------	----------------	----------------

ORDER KEY	END CONNECTION				FLANGE CODE
	MODEL #	L-3000-	LL-	X-	XXX