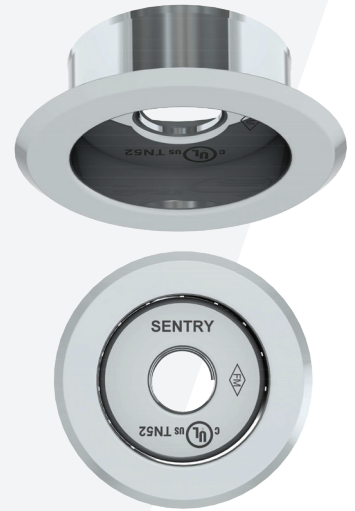


Description:

Sentry Sprinklers Model SY8010 is a Two-Piece Recessed Escutcheon suited for Pendent and Horizontal Sidewall recessed sprinkler installation. The Escutcheon is intended to cover any gaps remaining between the piping and a ceiling or a wall. The Escutcheon provides a depth adjustment to mate with a finished ceiling or wall.

Features:

- Suitable for 1/2" NPT sprinklers.
- 3/4" Recessed Adjustment.
- Carbon Steel with Chrome, Brass and Polyester coating finish.
- Outside diameter 3 1/8".
- UL/FM listed with SY8121, SY8122, SY8131, SY8132 and UL listed with SY8172.



Model SY8010

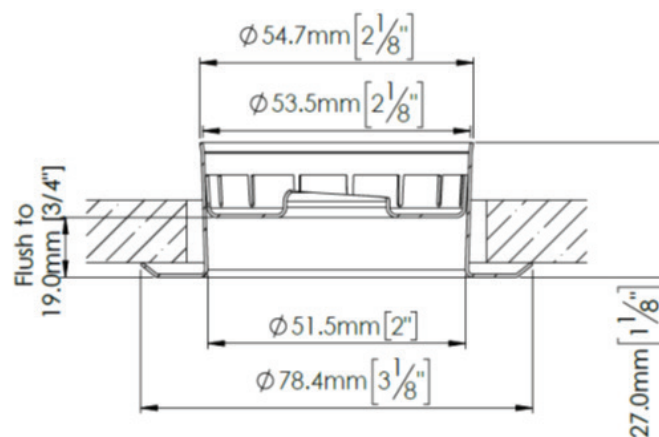


Description:

Sentry Sprinklers Model SY8020 is a Two-Piece Recessed Escutcheon suited for Pendent and Horizontal Sidewall recessed sprinkler installation. The Escutcheon is intended to cover any gaps remaining between the piping and a ceiling or wall. The Escutcheon provides a depth adjustment to mate with a finished ceiling or wall.

Features:

- Suitable for 3/4" NPT sprinklers.
- Carbon Steel Chrome, Brass and Polyester coating finish.
- Outside diameter 3 1/8".
- UL listed with SY1221, SY1222, SY1231, SY1232 and SY1272.



SY8010

This Page Intentionally Left Blank